

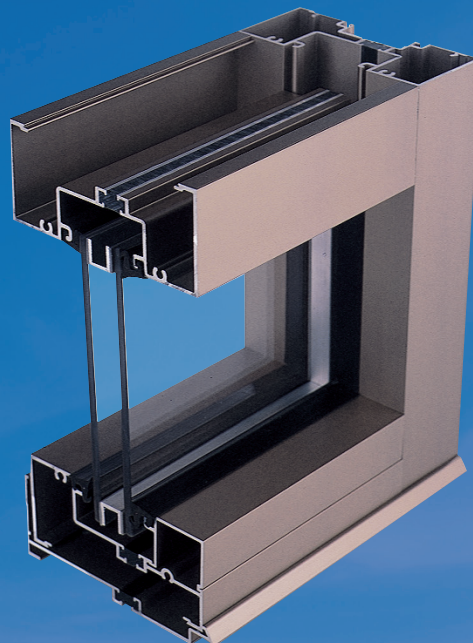
T14000 Series Storefront

Single cavity pour and debridge thermal barrier

For optimal strength and thermal performance, use Tubelite's 14000 Series Storefront Framing, a flush-glazed system for use on storefront and low-rise applications. Framing is available in standard single cavity pour and debridge thermal barrier members with 2" x 4-1/2" profiles and a 1/2" bite for use with glass or panels up to 1-1/8" thick. Extra-heavy intermediate verticals are available for high performance against strong windloads.

Reduce project labor costs with the flexibility of inside or outside glazing. Members can be assembled using screw spline or clip joinery, and framing is compatible with Tubelite Narrow, Medium and Wide Stile Doors.

Our 14000 Series Storefront products are subjected to thorough testing by an independent laboratory, ensuring that you get the highest quality storefront framing products that the industry has to offer.



Wendy's, Cemetery Road, Hilliard, OH

Standard Medium Stile Entrances



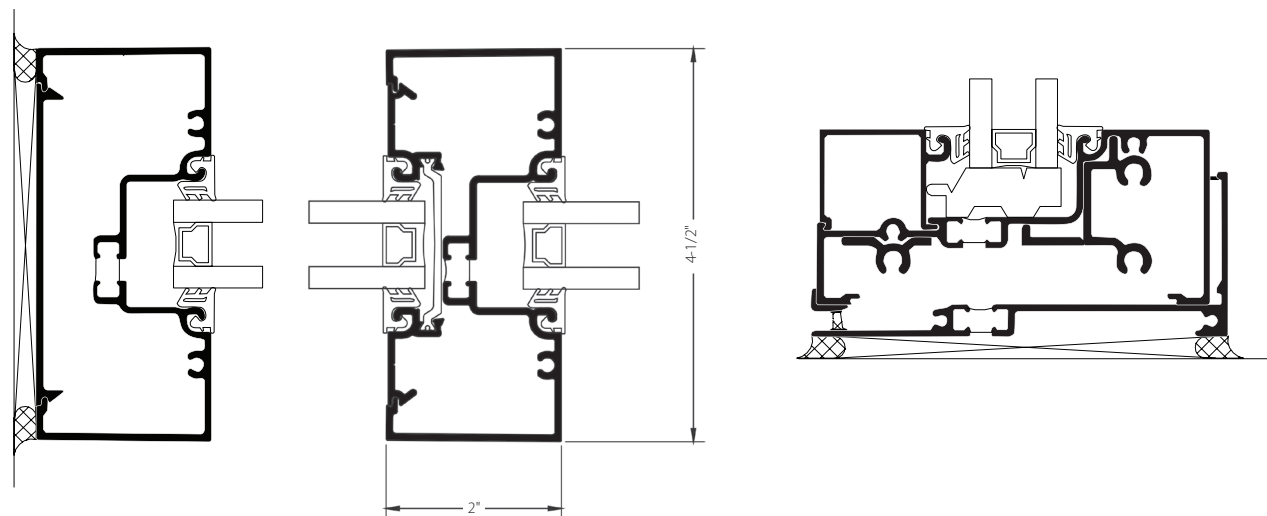
200 Series Curtainwall

ALSO USED WITH

TUBELITE®
DEPENDABLE
 LEADERS IN ECO-EFFICIENT STOREFRONT, CURTAINWALL AND ENTRANCE SYSTEMS

T14000 Series Storefront

Single cavity pour and debridge thermal barrier

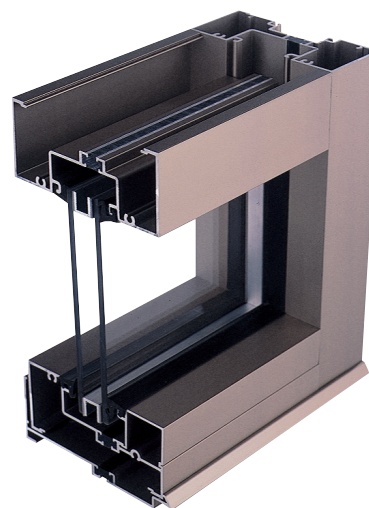


System Features:

- Standard 2" (50.8mm) sight-line on verticals and horizontals
- 4-1/2" (114.3mm) system depth
- Single cavity pour and debridge thermal barrier with Azon's Lancer® mechanical lock
- EPDM wedge type gaskets for 1" glass or panel thickness
- Glass centered in the system depth

Optional Features:

- Screw-spline or shear block connections
- Steel reinforcing if required
- Easily integrates with standard or thermal doors, operable vent windows & sun shades
- A wide variety of standard anodized and painted colors are available to complement any project with warranted protection, as well as street appeal.
- Curved Headers
- Non-thermal Framing



T14000 Series Product Specifications

Application: Low-rise commercial buildings: retail, office, healthcare, schools, etc.

Description: 2" x 4-1/2" center set, outside or inside flush glazed storefront

Face Width:	System Depth:	Glass:	Air Infiltration:	Water Infiltration:	Structural:	CRF:	U-Factor**:	Acoustic:
2"	4-1/2"	1" std (1/8" - 1-1/8")	0.06 CFM/Ft.2 @ 6.24 PSF	10 PSF - Static 10 PSF - Dynamic	30 PSF - Design 45 PSF - Overload	T (Thermal) 62 _f 68 _g	0.38 - Thermally Insulated 0.33 - Thermally Broken	STC 32 OITC 26

** U-Factor per NFRC 100: COG = 0.24 with warm edge spacer, 1-3/4" x 4-1/2" non-thermal frame.

Refer to the U-Value table at: www.tubeliteinc.com/products/storefront/14000-series-storefront-framing/ for other glass makeups and configurations.

DISCLAIMER: Tubelite takes no responsibility for product selection or application, including, but not limited to, compliance with building codes, safety codes, laws, merchantability or fitness for a particular purpose; and further disclaims all liability for the use, in whole or in part, of this Technical Guide in preparation of project specifications and/or other documents. Technical Guides are subject to change at any time, without notice, and at Tubelite's sole discretion. ©2017 Tubelite Inc.

080720